

# 6" round switch

## Automatic swinging doors



### Features

- Large, easy-to-operate switches.
- 6" round.
- All-active design requires minimal actuation force.
- Durable stainless steel construction.
- Meets ADA requirements.
- Flush mount or surface mount.
- UL/CSA approved SPDT momentary switch, rated 15 Amps @ 30V DC.
- Various logos & messages.
- Architectural finishes.

### Description

dormakaba's 6" round switches are heavy-duty, ADA-compliant door controls. These round faceplates are stainless steel or solid brass, and the assembly is designed for easy installation in single-gang electrical boxes or—with included adapter plate—double-gang and 4 × 4 boxes. The SPDT and optional DPDT switches are UL/CSA approved, and rated 15 Amps @ 30V DC.

### Application

Our 6" round switches are designed for areas where an easy-to-activate, high-visibility switch is desired. Ideal for high traffic areas, hospitals, wheelchair access, seniors' residences, etc. It can be surface or flush mounted.

These switches are designed to control electric strikes, electromagnetic locks, and automatic doors. They may also be used for shunting, bypassing alarms, request to exit, timed functions, and many other applications.

The switches are made for high frequency usage, for both indoor and outdoor environments. dormakaba's switches are versatile, and can be supplied in various configurations and finishes to suit any commercial, industrial, or residential application.

### Faceplate graphic options



DX3330-022  
ISA icon only



DX3330-023  
"PUSH TO OPEN" Text



DX3330-024  
"PUSH TO OPEN" Text & ISA icon

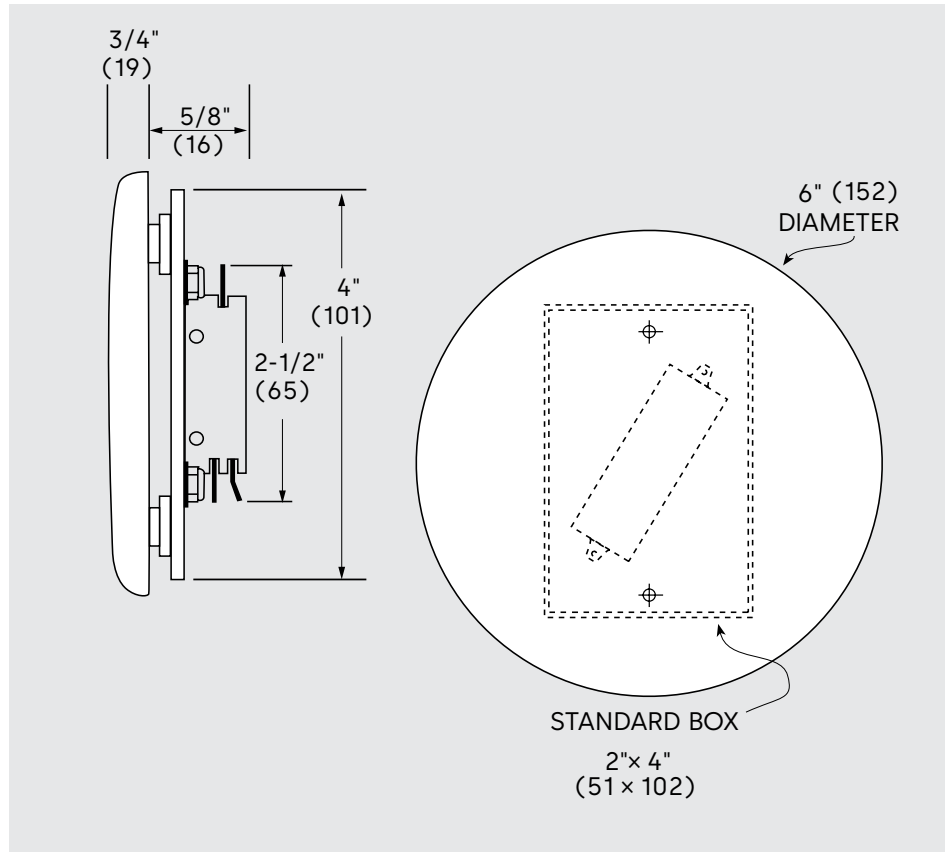
### Architects/Engineers specifications

The switches shall be easy to activate, ADA compliant and 6" round in diameter. Switches shall be all-active, whereby pressing any part of the faceplate will activate the device. Faceplates shall be constructed of 18-gauge stainless steel or solid brass, and have concealed mounting screws for tamper resistance. Switches shall use plastic spacers and rubber dampers for noise reduction. Switches shall be rated at a minimum of 15 Amps @ 30V DC.

Their design shall allow mounting in single-gang electrical boxes, or—with included adapter plate—double-gang and 4 x 4 boxes.

### Technical specifications

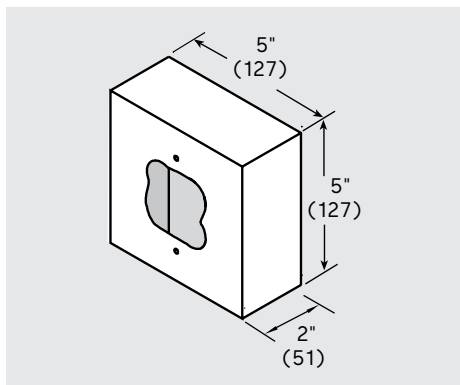
<b>Voltage</b>	12/24V AC/DC
<b>Contact type</b>	SPDT Form 'C'
<b>Contact rating</b>	15 Amps @ 30V DC
<b>Switch type</b>	Momentary
<b>Dimensions</b>	6"DIA. x 1 1/8"D (1152DIA x 29D)
<b>Standard finish</b>	Brushed stainless steel



### Mounting boxes

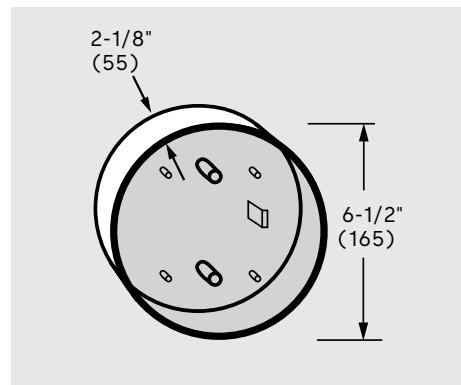
#### Model DX3330-032

<b>Size</b>	5" square, std. depth.
<b>Type</b>	Surface mount box.
<b>Construction</b>	Flame and impact resistant black polymer (ABS).
<b>Application</b>	Indoor/outdoor, wired. Required for wireless.



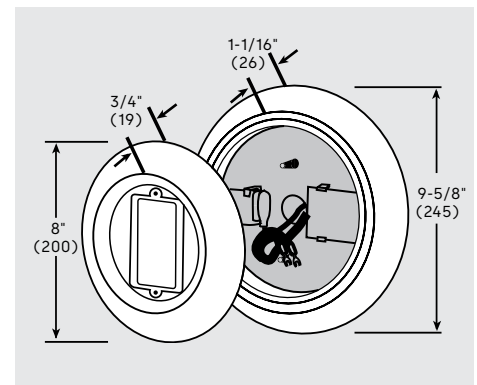
#### Model DX3330-035

<b>Size</b>	6-1/2" round, std. depth.
<b>Type</b>	Surface mount box.
<b>Construction</b>	Flame and impact resistant black polymer (ABS).
<b>Application</b>	Indoor/outdoor, wired or wireless.



#### Model DX3330-036

<b>Size</b>	9-5/8" round, 1-13/16" depth.
<b>Type</b>	2 pcs. surface or semi flush. Gasket and adapter plate included.
<b>Construction</b>	Flame and impact resistant black polymer (ABS).
<b>Application</b>	Vandal resistant indoor/outdoor.



© dormakaba 2024 Information on this sheet is intended for general use only. dormakaba reserves the right to alter designs and specifications without notice or obligation.

**Any questions? We would be happy to advise you.**

Contact us at: 1-800-265-6630